

Automatic OPP Laminating Machine
(New Model for Water and Solvent Base)



Basic Introduction

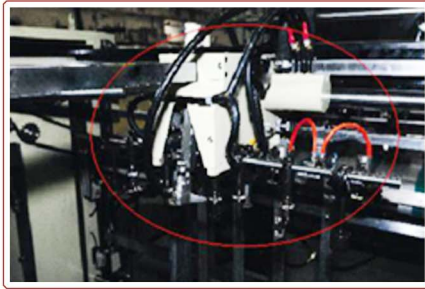
This machine combines all the features of water-based and oil-based laminators and can be used for both type of coating application. It applies environmental-protecting water-based coatings quickly and efficiently, and it can also be used with more economical oil-based coatings.

Specification:

Model	XH - 126W
Maximum Working Width	1200 mm
Maximum Sheet Size	790 x 1200mm
Minimum Sheet Size	310 x 406mm
Sheet Thickness	100~600 gsm
Bopp Thickness	15~25μ
Total powder	73.3kw
Laminating Speed	7~40m/min
Machine dimensions (LxWxH)	10850x2912.5x3098mm
Net Weight	8620kgs

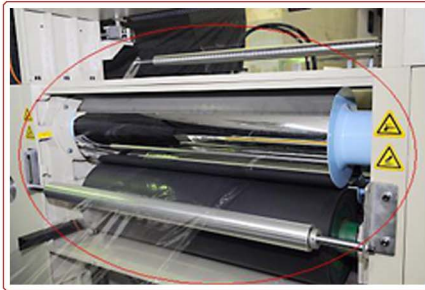
Subject to change without notice.

Standard equipments



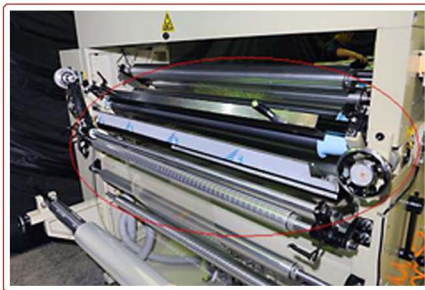
1. Automatic stream feeder

- * Reliable sucker feeds sheet smoothly at high speed.
- * Sensitive mechanical and electronical double sheets detector and stop board for foreign objects. The machine will stop immediately if any abnormality occurs.
- * Precise and reliable front and side guide.
- * With non-stop feeding additional table.
- * Sensor detecting device is able to stop the machine or make alarm when there's abnormality on feeding.



2. Laminating unit

- * The laminating cylinder surface is precisely grinded and mirror-polished. Choose oil heating for auto constant temperature control and equipped with temperature sensor to make the temperature stably.
- * Two sets of oil pressure cylinder and manual oil pump to adjust the laminating pressure and keep the two rollers pressure balance.
- * Film flatten roller can guarantee the film laminating flat.
- * High precise film deviation adjust device to control the film running deviation.
- * The whole machine compounding transmission system, inverter speed adjust, worm speed reducing, gear and chain and each roller can guarantee same speed and convenient operation.



3. Gluing unit

- * Gluing unit has two cylinders with independent motor drive, which can be run at high speed and can be controlled with main machine at same speed.
- * High precise glue coating unit separately driven and speed can be adjusted to be suitable for different glues.
- * When feeding abnormality occurs, the film will move back automatically.
- * Film tension control device can adjust film tension.
- * Film paralleling and tension adjust device.
- * Two individual glue circulatory system is easily and quickly change glue for water base or solvent base.
- * Extra film cutting and auto collection device.



4. Drying system

- * The dryer can partly working or entirely working according to the actual need. The auto temperature control can use the heat perfectly.
- * Hot air, quartz tube and heating element compounding system to make the heating effectively.
- * Peculiar smell and air exhausting to decrease the influence over the health of the operators.
- * The sealed drying cabinet has heat insulation layer to keep the normal temperature.



5. Automatic cutter with winding stand

- * Round and rotary cutter, cutting speed can be micro-adjusted.
- * Parallel circuit electronic system automatically adjusts the speed of cutter to the same with main unit.
- * The independent driving winding unit can wind sheet continuously and save space.

Standard equipments



6. Manual delivery board

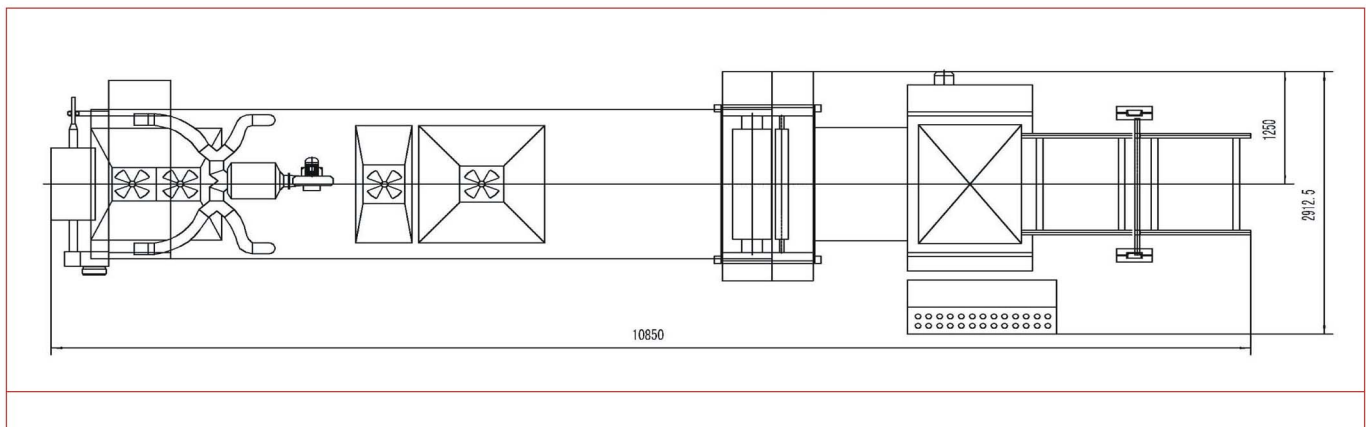
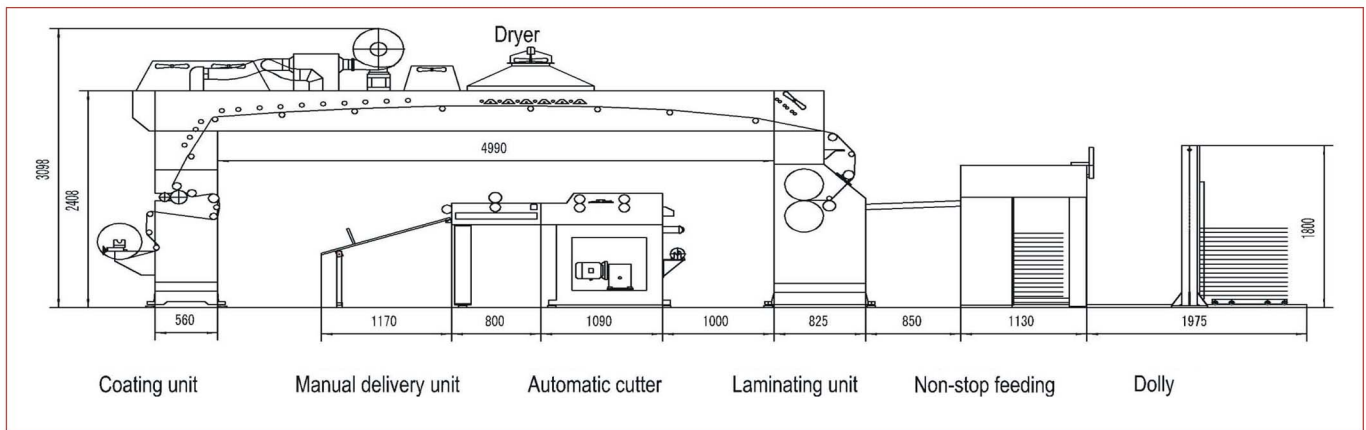
- * Automatic counter.

7. Auto control

- * Safe and reliable motors use invertors to adjust speed.
- * Synchronous control of the whole machine.
- * PLC control for whole machine for easy operation and maintenance.
- * Safety switch for whole machine with emergency stop switch to guarantee operator's safety.

8. Feeding/delivering non-stop mechanism

- * Semi auto auxiliary table for sheet feeding to prepile out of feeder, height: 1100mm(43.3"), to be pushed in by a dolly.



Floor Plan

Xiamen Fuyin Machinery Co.,Ltd.

Add: 1713-NO.9 Huli Haitian Road, Xiamen . China
Tel: +86-592-6038623 6037552
Fax: +86-592-6038602
Email: Xianghan@public.xm.fj.cn
Http://www.xianghan-machine.com

Agent: